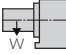
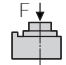
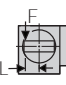
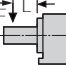


## RDS-200

SLIM FOOTPRINT • DIRECT DRIVE MOTOR

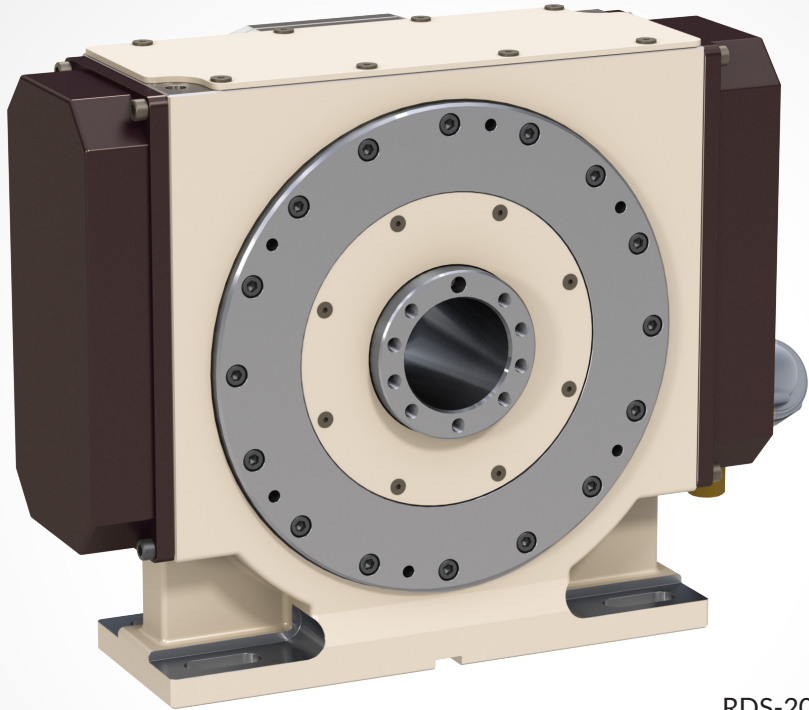
This series utilizes Tsudakoma's proprietary direct drive motor system enabling the rotary table to achieve high speed and acceleration with no backlash. The RDS-200 model is a compact single axis 300 rpm direct drive rotary table with indexing accuracy of  $\pm 10$  arc seconds and a strong pneumatic braking system.

Table Model		RDS-200	
Spindle outer diameter	mm	83H7	
Center height	mm	160	
Center bore	Nose Diameter	55H7	
	Thru Diameter	45H7	
Servo motor (For Fanuc)*		Tsuda-02	
Speed reduction ratio		1/1	
Maximum table speed	rpm	300	
Clamp system		Pneumatic	
Holding torque @72psi	Nm (ft. lbs.)	600 (443)	
Indexing accuracy	arc sec.	$\pm 10$	
Net Weight	kg (lbs.)	65 (144)	
Allowable work weight	 kg (lbs)	100 (220)	
Allowable Load when table clamped	 N	6,860	
	 Nm	600	
	 Nm	350	

\* Other motors & RPM available

\*\* Booster optional

Specifications subject to change without notice

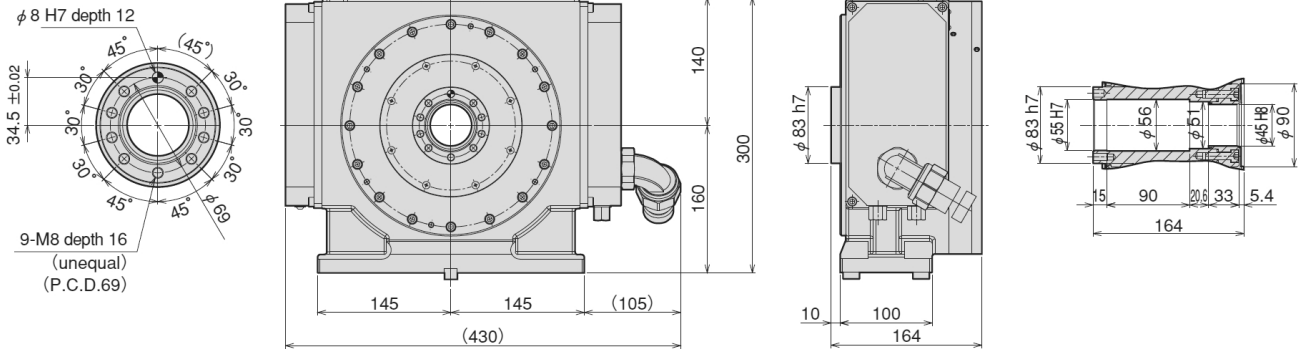


RDS-200

Dimensions

Drawings not to scale • Dimensions = mm

RDS-200



The dimensions above are for tables with a FANUC servo motor. Other motors available (dimensions may increase).

Options & Accessories

TPC NC Controller	p.62
Chucks	p.74
Tailstock	p.75
Support Spindle	p.77
Face Plate	p.77
Encoder / Scale	p.78
Pull Stud Device	p.79
Rotary Joint	p.79
Booster	p.80
PVC or Steel Cables	p.81